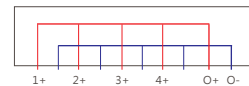


Key Features

- Easy
 - No internal cables cutting, stripping and routing.
- Compact Size
- Cost and Time Saving
- Safe
 - IP65 water-resistant, NEMA 4X
 - UL94v-0 flameproof
- Efficiency
 - Shortest input to output current path, less power loss
- Patents
 - Patented: Taiwan, China
 - Pending: USA, Europe



No fuse holder seats, nor surge protector seat
 * May apply max. 16A fuses for each input port



Electrical circuit

Detail Features

Electrical Data and Safety	
Max. Input Rated Current	10A DC per port (Pos. & Neg.)
Contact Pin Resistance	≤ 0.5mΩ
Max. Rated Output Current	30A DC (pos. & Neg.)
Max. Rated Voltage	1000Vdc (TUV), 600Vdc (UL)
Flame Class	UL94v-0
Protection Degree / Protective Class	IP65, NEMA 4X / Class II
Pollution Degree	PD3
Over Voltage Category	II
Max. Altitude Rating	2,000 meters
Operation Humidity	4% to 100%
Operation Temperature Range	-25°C to +50 °C
Mechanical Data	
Housing	PPO
Sets of Input	4 sets
Input Connectors	Φ 4.0mm lathing pins, Tin plated brass
Output Connectors	Φ 4.0mm lathing pins, Tin plated brass
Body Dimension (mm)	250(W) x 87(D) x 55(H)
Net Weight (g)	411
Certification	
IEC62109-1:2010	R 50246670 (TUV Rheinland)
AS/NZS 3100:2009+A1, IEC62109-1	TUV16098E
UL1741	TUVus

Specifications are subject to be changed without notice

This patented combiner is designed to reduce both installation time and material cost.

It shows innovations of the shortest internal current path, plastic injected connectors and 35mm din rail.

Unlike the traditional ones, no knockout when assembling panel-end connectors or gland; no cables measuring, cutting, stripping and routing.



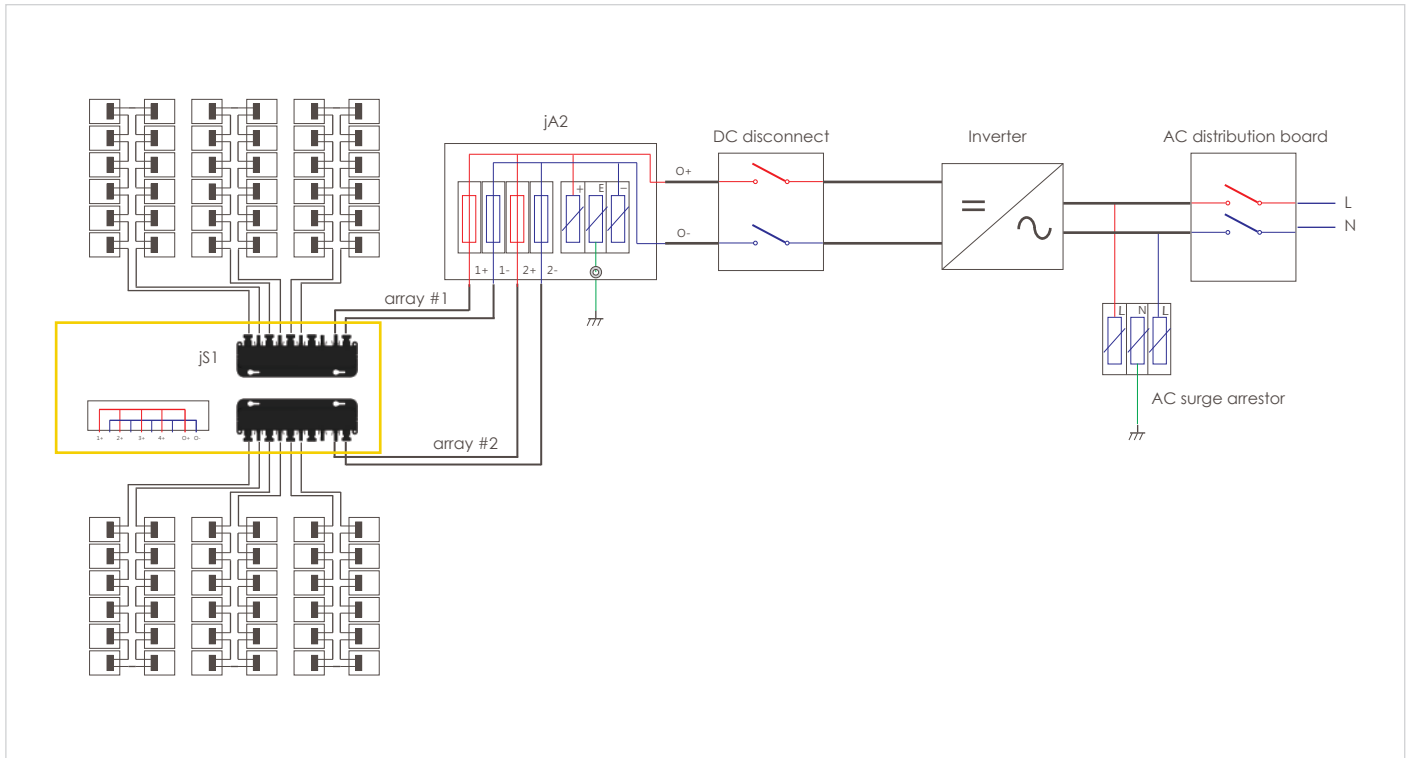
CAN Solar Inc.

#265-12899 76 Ave. Surrey, British Columbia V3W 1E6, Canada

Tel: +1 (604) 800-3806

www.cansolarenergy.com

A drawing of deployment



Company profile

CAN Solar Inc. was established in 2011 in British Columbia, Canada, focuses on providing innovative solutions for Solar energy installation.

For our LOGO, it presents a rising sun covering the solar industry. It shows "energy is there" and CAN Solar Inc. is the link between solar energy and you, stay green with you, be innovative for you.

The fossil and coal energy bring air and carbon mono- dioxide pollution, overall cost is getting higher, while the nuclear power brings lots of concerns to people. A lower solar energy cost is needed. Can Solar Inc. integrates the low costs of Asia's resources into the high quality requests of Canadian company, provides a easier, safer, more reliable, durable and affordable components and solutions for installation.

CAN Solar Inc.'s products are briefed as below,

- Compact size and "Plug&Go!" PV string and array combiner (string junction box).
Lower total cost, for both outdoor and indoor uses.
- High performance Ø4.0mm PV DC connectors and branch adapters.
TUV certified.
UL recognized (Ø4.0mm cable-end connector only).
- PV status monitoring system.
By applying a monitoring system, slave units on modules/strings are asked to deliver data through existing power lines by a master unit; PV status is pushed into internet or cellphone system there. No additional communication lines, no unstable wireless connection.
- 100W movable solar tracking power station