

Key Features

- Performance
 - Low contact resistance.
 - Handles up to 30A current.
- Safety
 - IP67 waterproof, NEMA 6[§]
 - UL94-v0 flameproof
- Certification
 - TUV EN50521:2008 certified
 - UL Recognized[§]

Detail Features

Electrical Data and Safety	
Rated DC Current	30A
Contact Resistance	≤ 0.5mΩ
Rated Voltage	1000Vdc (TUV), 600Vdc (UL)
Flame Class	UL94v-0
Protection Degree	II
IP Code, Water Proof	IP67, NEMA 6 [§]
Operation Temperature	-40 deg. C to +85 deg. C
Mechanical Data	
Housing	PPO
Metal Pin (Φ4.0mm, Tin plated)	Lathing brass / Stamping copper [§]
Fit to Cable Cross Section *	6.0, 4.0, 2.5mm ² / 12AWG [§]
Insertion Force	≤ 50N
Withdraw Force	≥ 50N
Certification	
UL [§]	E362230
EN50521:2008, tested by TUV Rheinland	R50219582, R50219587, R50219593

* Specify cable cross section before ordering; typical 4.0mm².
 § Φ4.0mm cable-end connector, stamping pins.

Specifications are subject to be changed without notice



These connectors and branch adapters are designed to handle heavy current with 4.0mm-diameter-lathing pins.

High performance, low power consumption and less heat raising as low contact resistance.

They are TUV certified, water and flame proof for outdoor applications, long durability.

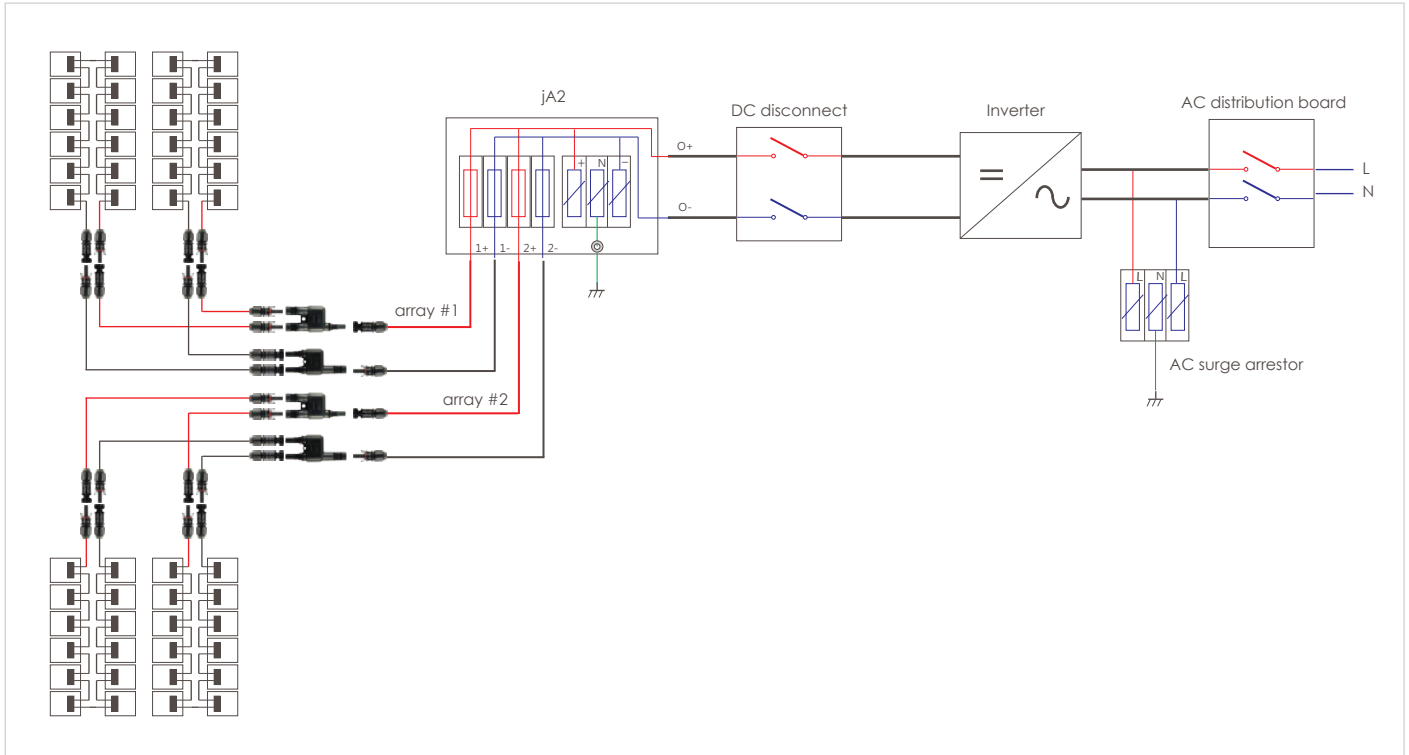
UL recognized 4.0mm-diameter-stamping pins connectors are available as well.



CAN Solar Inc.

#265-12899 76 Ave. Surrey, British Columbia V3W 1E6, Canada
 Tel: +1 (604) 800-3806
www.cansolarenergy.com

A drawing of deployment



Company profile

CAN Solar Inc. was established in 2011 in British Columbia, Canada, focuses on providing innovative solutions for Solar energy installation.

For our LOGO, it presents a rising sun covering the solar industry. It shows "energy is there" and CAN Solar Inc. is the link between solar energy and you, stay green with you, be innovative for you.

The fossil and coal energy bring air and carbon mono- dioxide pollution, overall cost is getting higher, while the nuclear power brings lots of concerns to people. A lower solar energy cost is needed. Can Solar Inc. integrates the low costs of Asia's resources into the high quality requests of Canadian company, provides a easier, safer, more reliable, durable and affordable components and solutions for installation.

CAN Solar Inc.'s products are briefed as below,

- Compact size and "Plug&Go!" PV string and array combiner (string junction box).
Lower total cost, for both outdoor and indoor uses.
- High performance Ø4.0mm PV DC connectors and branch adapters.
TUV certified.
UL recognized (Ø4.0mm cable-end connector only).
- PV status monitoring system.
By applying a monitoring system, slave units on modules/strings are asked to deliver data through existing power lines by a master unit; PV status is pushed into internet or cellphone system there. No additional communication lines, no unstable wireless connection.
- 100W movable solar tracking power station