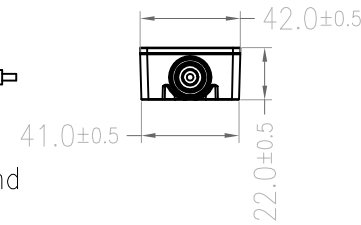
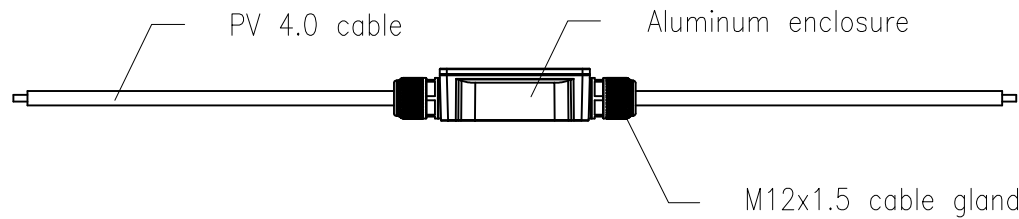
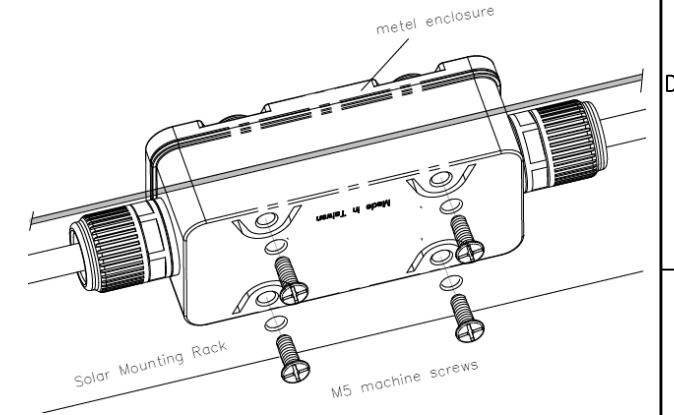
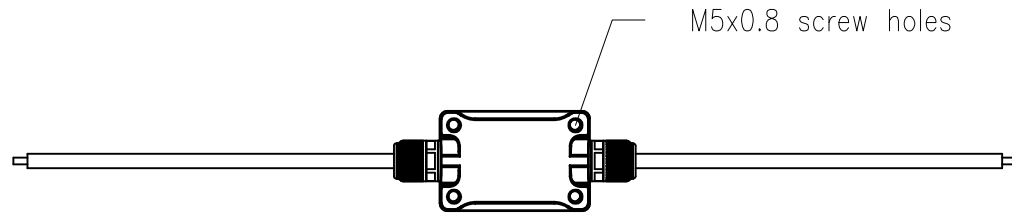
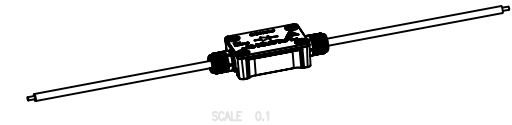
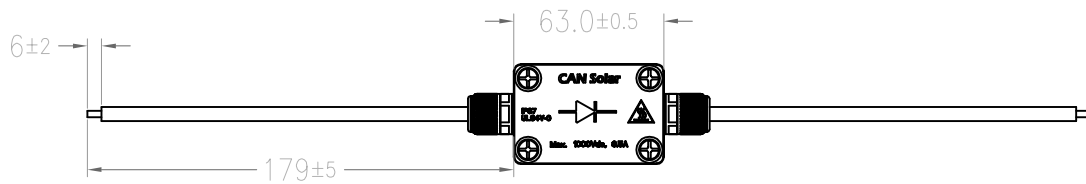


REV	MODIFICATION	DATE	DESIGN	APPROVE



Installation



Remark:

- Materials
  - Cable gland: Nylon66, black, M12x1.5 thread
  - PV cable: 4.0mm<sup>2</sup>, TUV solar grade
  - Enclosure: Cast Aluminum
  - Screws: stainless steel.
  - Diode: Square rectify bridge diode, rated >1kVdc 15A
- Installation guide: see drawing.
- Heat hazard!! mind high temperature on enclosure surface.
- Max. Rating: 1000Vdc, 8.5A.
- Max. depth of mounting screws holes: 10mm
- Tested: salt-spray 100hours, High voltage 3,200Vdc

TOLERANCES UNLESS OTHERWISE SPECIFIED: 0 PLC ± 0.25 1 PLC ± 0.13 2 PLC ± 0.05	APVD: Jamie Yang	
	CHK:	
ANGLES 0 PLC ± 0.5	DWN: Linda Tang	PRODUCT NUMBER: DNNM15-4M0
MATERIAL: see remark	DRAWING NUMBER: CAN-RD-GUD085-86	
FINISH: Feb. 16, 2015	Units: mm Size: A4 SCALE: SHEET BLATT: REV: 1 OF 1 1.0	