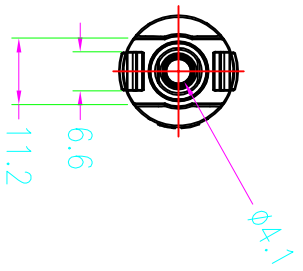
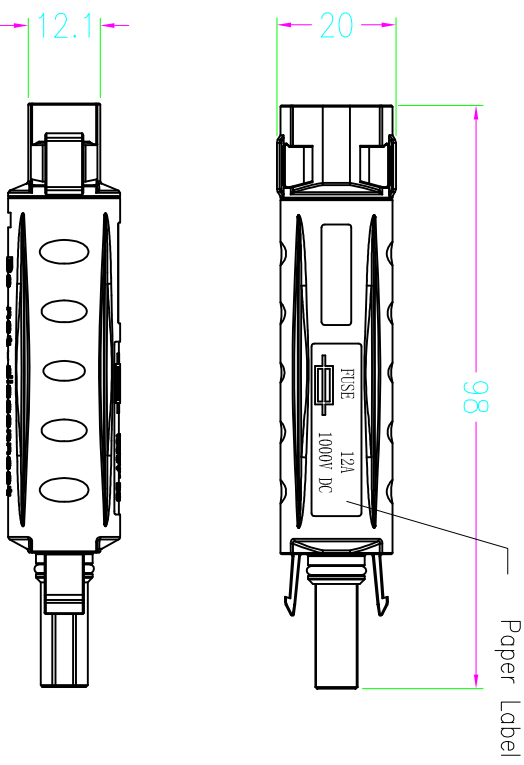
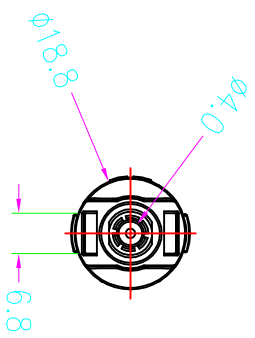


REV	MODIFICATION	DATE	DESIGN	APPROVE



Remark:

1. Material: Metal: Copper C3602; Housing: PPO 9406P
2. P/No.: FxxL40-xxN
└── xx—fuse rating (A)

TOLERANCES UNLESS OTHERWISE SPECIFIED: 0 PLC ± 0.25 1 PLC ± 0.13 2 PLC ± 0.05 ANGLES 0 PLC ± 0.5		APVD: Jamie Yang CHK: DWN: Linda Tang	NAME: 4.0 fuse Connector
MATERIAL: see remark FINISH: Avg. 01, 2013		DRAWING NUMBER: CAN-RD-GUFUF*-85	PRODUCT NUMBER: FxxL40-xxN
Units: mm Size: A4 SCALE: 1 OF 1 SHEET BLATT: A REV: A		CAN solar Inc.	